

Connecting the X11 to a PC

These instructions show how to set up the X11 as a headset for PC gaming or VoIP.

Step 1:

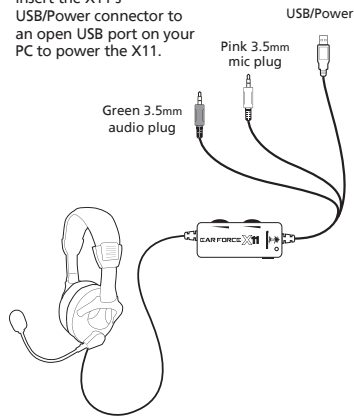
Connect the X11's green 3.5mm audio plug to the speaker output of your PC's sound card.

Step 2:

Connect the X11's pink 3.5mm plug to the microphone input of your PC's sound card.

Step 3:

Insert the X11's USB/Power connector to an open USB port on your PC to power the X11.



NOTE:

In this configuration, the amplifier game volume may be used to adjust the game sound level and the mic mute switch may be used to silence the microphone. The chat volume serves no function in this setup.

Using the Amplifier

Game Audio Volume:

This volume control sets the level of the game audio.

Chat Volume:

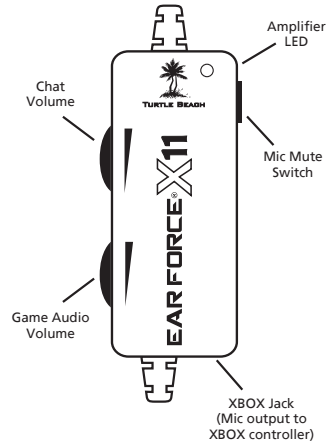
This volume control sets the level of XBOX LIVE chat voices from other players.

Mic Mute Switch:

This switch mutes the microphone.

Amplifier LED:

This LED will light Green when the mic is active and Red when the mic is muted.



About the X11 Headset

The Ear Force X11 amplified headset gives serious gamers the ultimate competitive edge by combining XBOX LIVE chat and stereo game audio into an immersive sound experience.

The X11's integrated design overcomes the limitation of communicator headsets that block game sound from one ear and eliminates voice chat interference caused by the headset microphone picking up sound from external speakers.

Pump up the volume without disturbing friends, family or neighbors. Hear every nuance of the game - from an opponent sneaking up behind you to your teammate's voice right next to you. Trash talk online. Block out distractions. It's everything you need for an amazing gaming experience.



Important Information

1. Be careful when turning up the master volume control on the amplifier. Before placing the headphones over your ears, set the volume control to minimum, then slowly increase until you reach a comfortable level.

2. Like any speakers, overdriving a headset may cause damage to both the headset and your ears. Please listen at moderate levels.

3. **WARNING:** Long term exposure to loud music or other sounds in a headset may cause hearing damage. It is best to avoid extreme volume levels when using a headset, especially for extended periods.

Avoid Hearing Damage

Over time, your ears adapt to loud volume levels, so a level that may not cause initial discomfort may still damage your hearing.

If you experience ringing in your ears after using the headset, it means the volume is set too loud. The louder the volume is set, the less time it takes to affect your hearing. So, please take care to listen at moderate levels.

Turn down the volume if you can't hear people speaking near you.

Avoid turning up the volume to block out noisy surroundings.



User's Guide

Package Contents

- Ear Force X11 headset
- XBOX® controller talkback cable
- RCA audio splitter cable
- This User's Guide

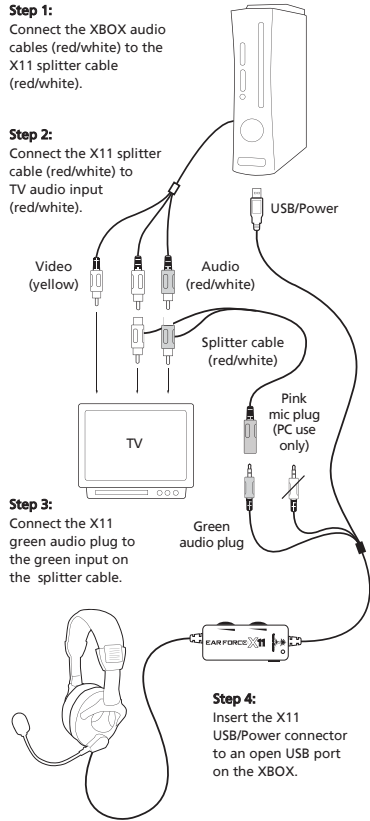


For more products, warranty information and our support knowledge base, visit TurtleBeach.com



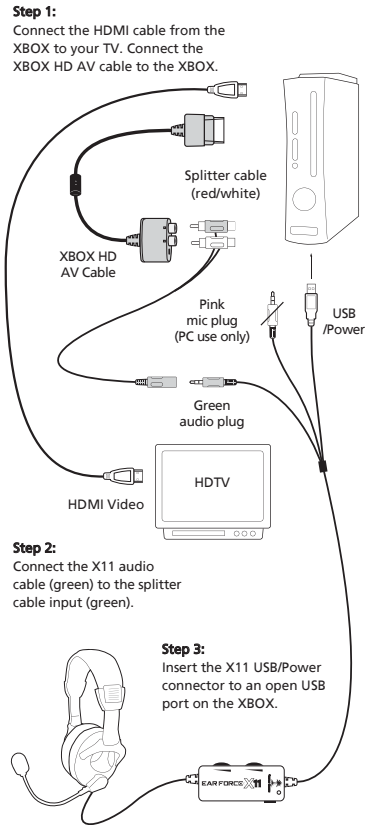
Connecting to the XBOX 360® Using Standard A/V Cables

Use the included cables to connect the headset, XBOX and TV (or sound system) as shown. This will allow you to hear the XBOX with either the TV or the X11 headset.



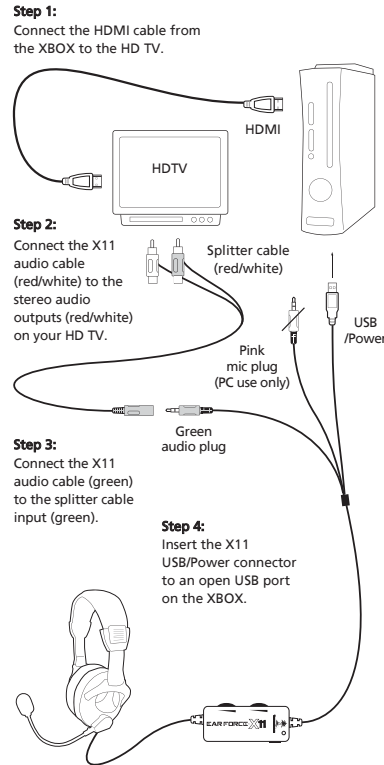
Connecting to the XBOX 360 Using an HDMI Cable

These instructions show how to set up the X11 with the optional XBOX HD AV cable (must be purchased separately) and an HDMI cable for HD video. The standard AV cable with composite video is replaced by the HDMI video connection.



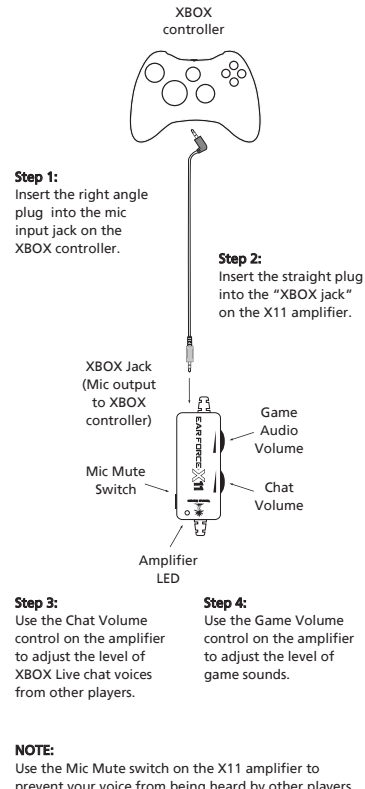
Alternate Connection When Using HDMI

If your HD TV has stereo RCA output jacks, you can connect the X11 to these RCA jacks rather than the XBOX RCA plugs. Note that on some TVs, the TV volume control might also adjust the output level to these RCA jacks. So if you turn down the volume on the TV speakers, you would also turn down the volume on the headset.



Connecting the Microphone

The X11 microphone may be used to communicate with other players during XBOX LIVE multi-player gaming sessions. Use the included talkback cable to connect the headset to the XBOX controller.



Configuring the XBOX Settings

XBOX LIVE is a subscription feature offered with the XBOX 360 that lets you communicate with other players via the internet. The X11 headset lets you communicate with other players during XBOX LIVE multiplayer gaming sessions. To use this feature, connect the headset to the XBOX controller as described in the previous section, then configure the XBOX LIVE feature as described below.

1. Press the center XBOX button on your controller to bring up the Dashboard.
2. Navigate right to the Settings tab and scroll down to "Preferences" from the menu. Press the "A" button.
3. On the Preferences screen, select the "Voice" option and Press "A".
4. Select the "Play Through Headset" option and set the Volume to 10.

