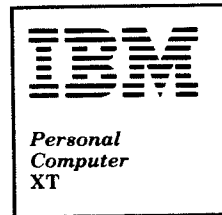
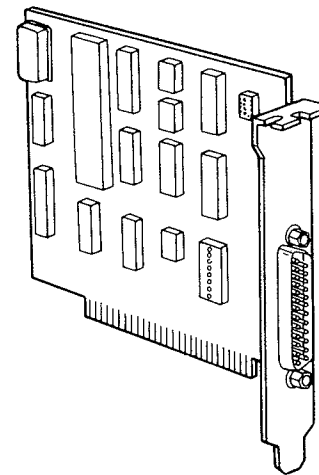
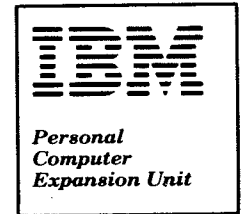


# Option Instructions

## Asynchronous Communications Adapter



Or



This carton contains the following:

- Asynchronous Communications Adapter

If any items are missing or damaged, notify your place of purchase.

## LIMITED WARRANTY

The International Business Machines Corporation warrants this IBM Personal Computer Product to be in good working order for a period of 90 days from the date of purchase from IBM or an authorized IBM Personal Computer dealer. Should this Product fail to be in good working order at any time during this 90-day warranty period, IBM will, at its option, repair or replace this Product at no additional charge except as set forth below. Repair parts and replacement Products will be furnished on an exchange basis and will be either reconditioned or new. All replaced parts and Products become the property of IBM. This limited warranty does not include service to repair damage to the Product resulting from accident, disaster, misuse, abuse, or non-IBM modification of the Product.

Limited Warranty service may be obtained by delivering the Product during the 90-day warranty period to an authorized IBM Personal Computer dealer or IBM Service Center and providing proof of purchase date. If this Product is delivered by mail, you agree to insure the Product or assume the risk of loss or damage in transit, to prepay shipping charges to the warranty service location and to use the original shipping container or equivalent. Contact an authorized IBM Personal Computer dealer or write to IBM Personal Computer, Sales and Service, P.O. Box 1328-W, Boca Raton, Florida 33432, for further information.

ALL EXPRESS OR IMPLIED WARRANTIES FOR THIS PRODUCT INCLUDING THE WARRANTIES OF MERCHANTABILITY AND FITNESS FOR A PARTICULAR PURPOSE, ARE LIMITED IN DURATION TO A PERIOD OF 90 DAYS FROM THE DATE OF PURCHASE, AND NO WARRANTIES, WHETHER EXPRESS OR IMPLIED, WILL APPLY AFTER THIS PERIOD. SOME STATES DO NOT ALLOW LIMITATIONS ON HOW LONG AN IMPLIED WARRANTY LASTS, SO THE ABOVE LIMITATIONS MAY NOT APPLY TO YOU.

IF THIS PRODUCT IS NOT IN GOOD WORKING ORDER AS WARRANTED ABOVE, YOUR SOLE REMEDY SHALL BE REPAIR OR REPLACEMENT AS PROVIDED ABOVE. IN NO EVENT WILL IBM BE LIABLE TO YOU FOR ANY DAMAGES, INCLUDING ANY LOST PROFITS, LOST SAVINGS OR OTHER INCIDENTAL OR CONSEQUENTIAL DAMAGES ARISING OUT OF THE USE OF OR INABILITY TO USE SUCH PRODUCT, EVEN IF IBM OR AN AUTHORIZED IBM PERSONAL COMPUTER DEALER HAS BEEN ADVISED OF THE POSSIBILITY OF SUCH DAMAGES, OR FOR ANY CLAIM BY ANY OTHER PARTY.

SOME STATES DO NOT ALLOW THE EXCLUSION OR LIMITATION OF INCIDENTAL OR CONSEQUENTIAL DAMAGES FOR CONSUMER PRODUCTS. SO THE ABOVE LIMITATIONS OR EXCLUSIONS MAY NOT APPLY TO YOU.

THIS WARRANTY GIVES YOU SPECIFIC LEGAL RIGHTS, AND YOU MAY ALSO HAVE OTHER RIGHTS WHICH MAY VARY FROM STATE TO STATE.

## Contents

<b>Installation Requirements</b> .....	3
Tool Required .....	3
<b>Installation Instructions</b> .....	5
<b>Connector Information</b> .....	16

## Notes:

## Installation Requirements

This option may be installed in either the system unit or expansion unit.

### Tool Required

- Medium-size, flat-blade screwdriver

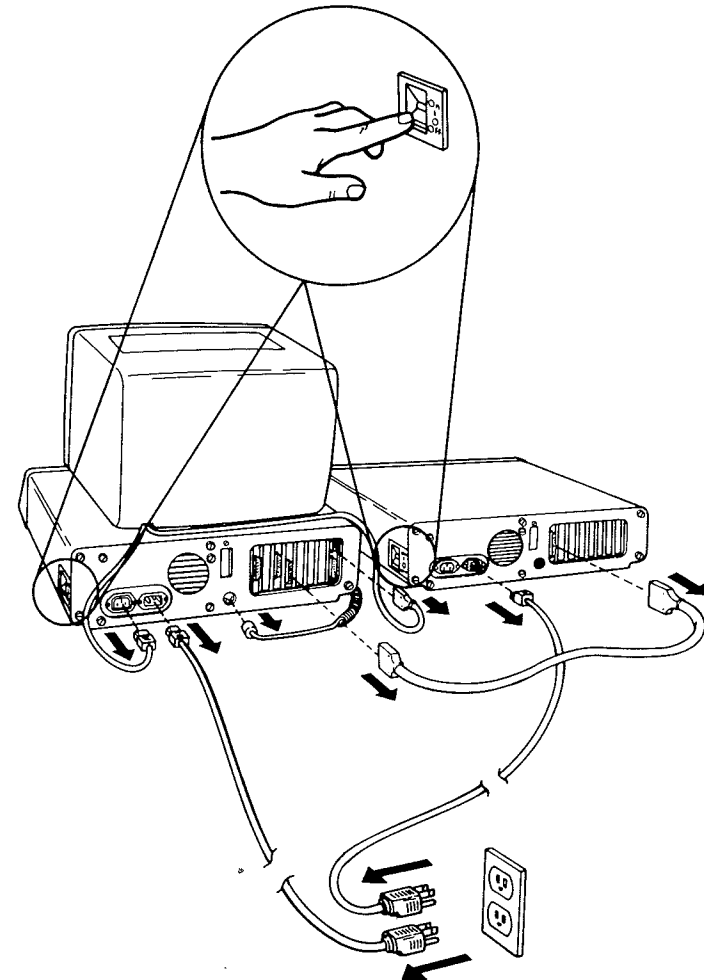
Optional:

- Medium screwstarter
- 3/16-inch nutdriver
- 1/4-inch nutdriver

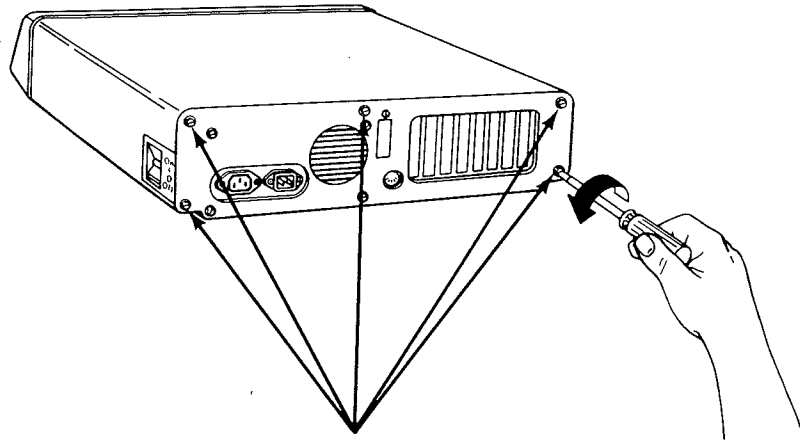
## Notes:

## Installation Instructions

1. Set the Power switch on the system unit (and expansion unit, if attached) to Off.
2. Set all external power switches Off (printer, TV, etc.).
3. Unplug the system unit's (and expansion unit's) power cord from the wall outlet.
4. Disconnect all cables from the rear of the unit in which the option is to be installed.

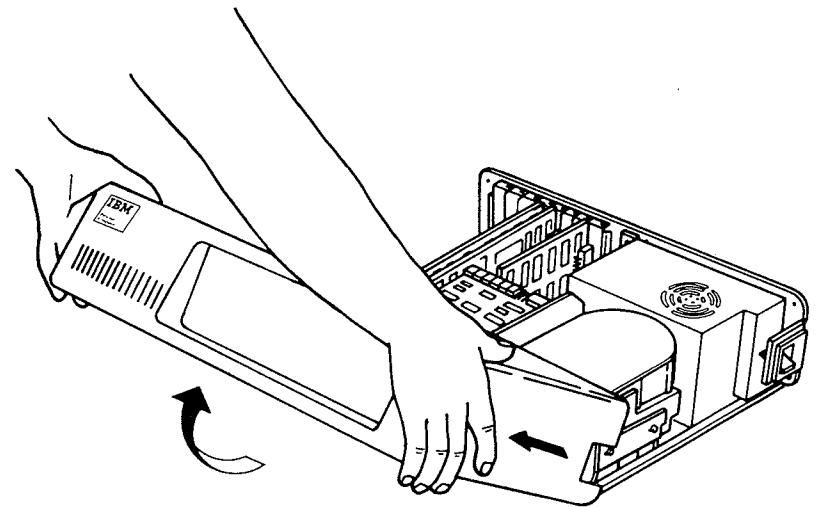
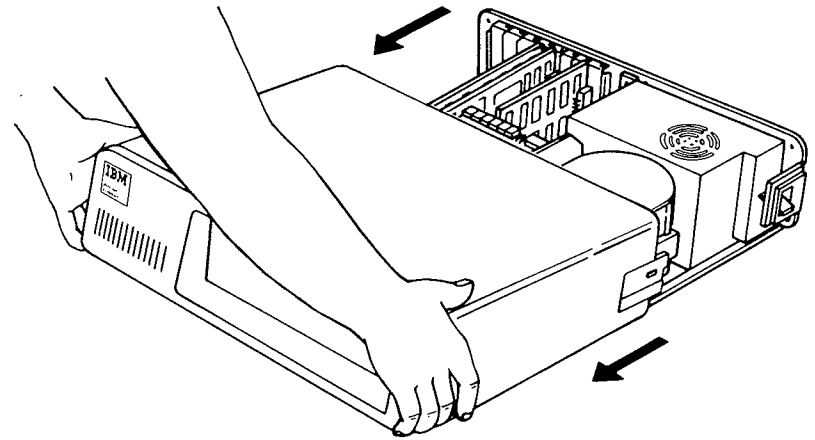


5. Move your keyboard and all external options away from the work area.
6. Position the unit to allow access to the rear.
7. Use a flat-blade screwdriver or 1/4-inch nutdriver and remove the five cover mounting screws by turning them counterclockwise as shown in the figure below. Save the screws for the installation of the cover.

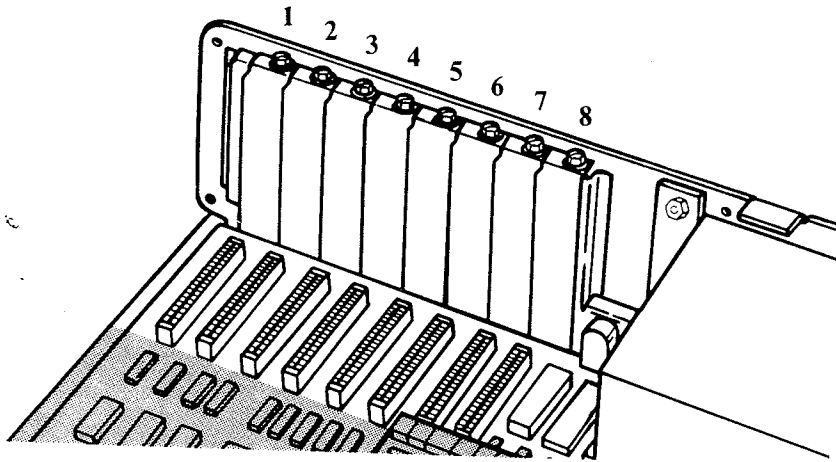


Cover Mounting Screws

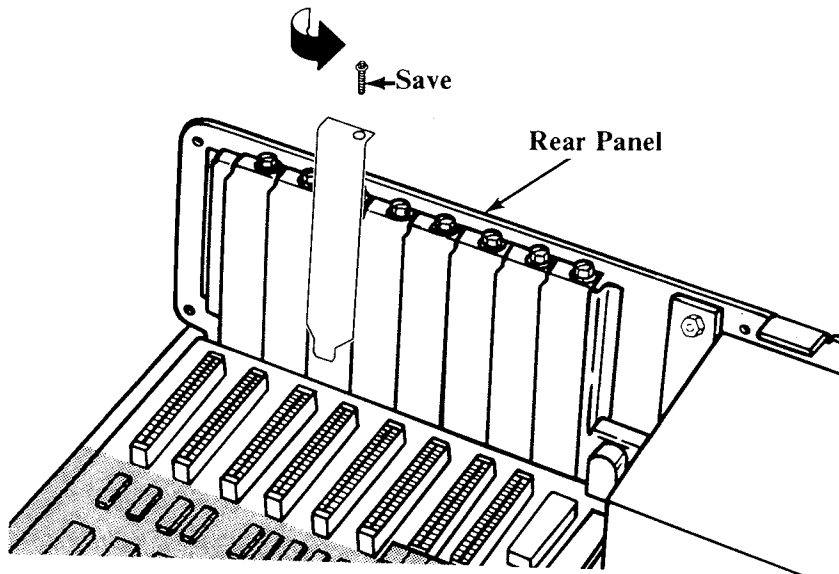
8. Carefully slide the unit's cover away from the rear and to the front as indicated in the figure below. When the cover will go no further, tilt it up, remove it from the base, and set it aside.



9. Look at the inside left rear of your unit. There are eight expansion slots. You can install your option in any unused slot.



10. Use a flat-blade screwdriver or a 3/16-inch nutdriver and remove the screw that holds the expansion slot cover in place by turning the screw counterclockwise. Save the screw for the installation of the option.

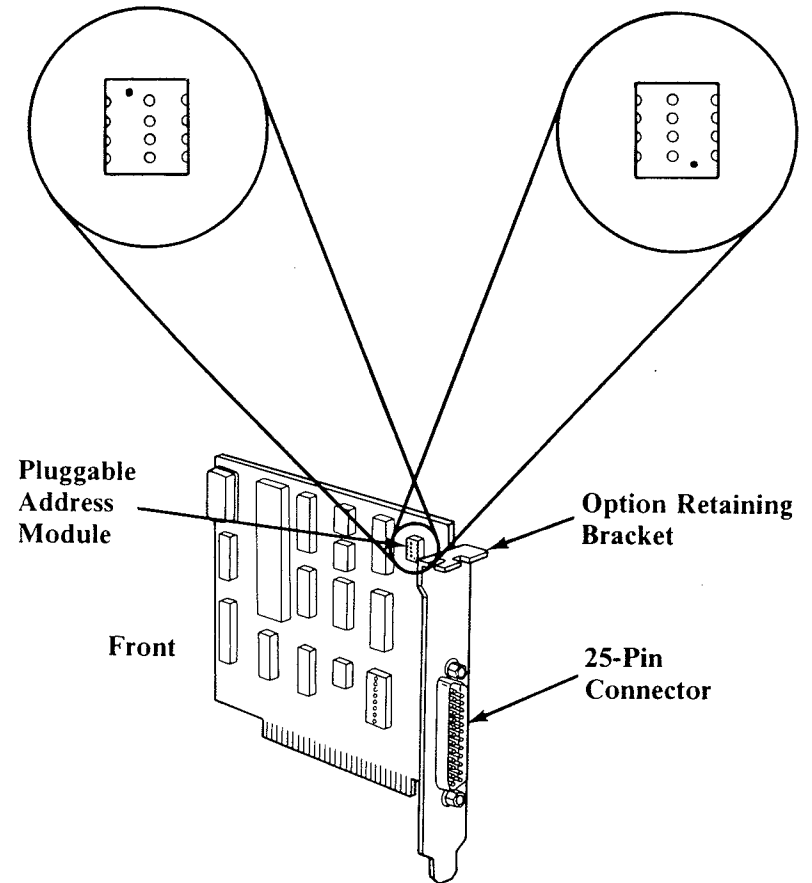


**Note:** If this is the first asynchronous communications adapter to be installed in your system, go to Step 12 now.

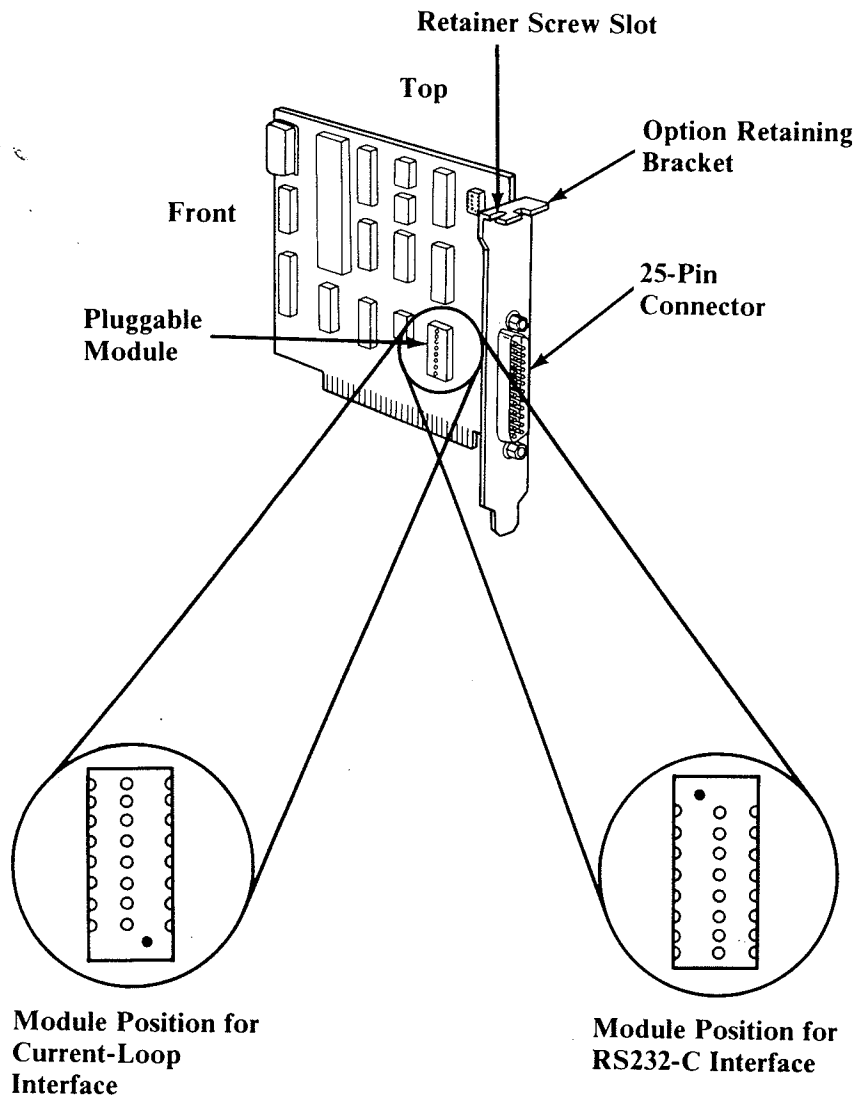
11. The figure below shows the pluggable address module on the asynchronous communications adapter. On the second asynchronous communications adapter to be installed in your system, remove the pluggable address module and reinsert it in the position shown for "Alternate Asynchronous Adapter." Then go to Step 12.

Module Position  
for Primary Asynchronous  
Adapter

Module Position  
for Alternate Asynchronous  
Adapter

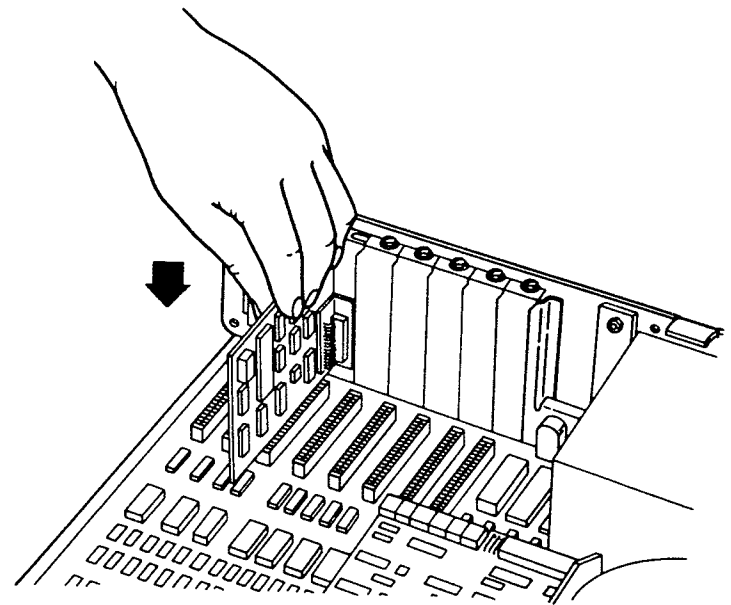


**12.** Possible interfaces for the asynchronous communications adapter are the current-loop and RS232-C. Position the pluggable module for the interface that suits your application as shown in the following figure.

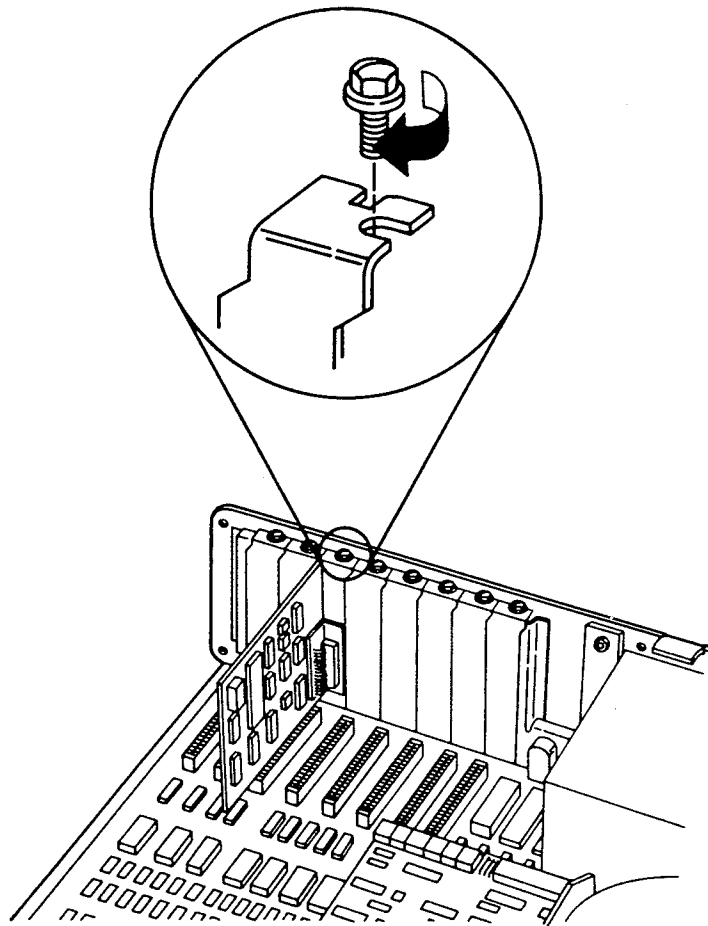
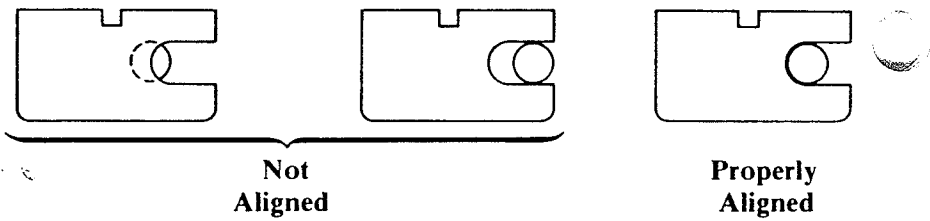


**Note:** The pluggable module may have a dust cover. Simply lift to remove.

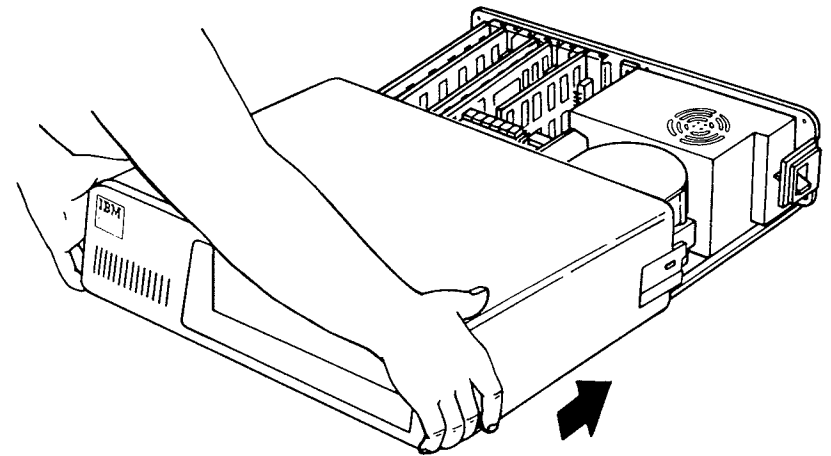
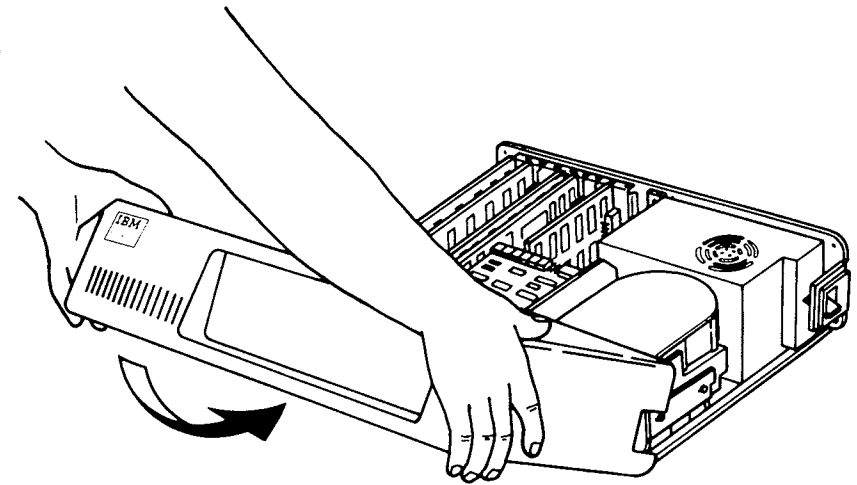
**13.** Hold the option by the top and firmly press it into the expansion slot as shown below.



- 14.** Align the slot in the option retaining bracket with the hole in the rear panel of the unit. Start the screw clockwise, then tighten with a flat-blade screwdriver or 3/16-inch nutdriver.

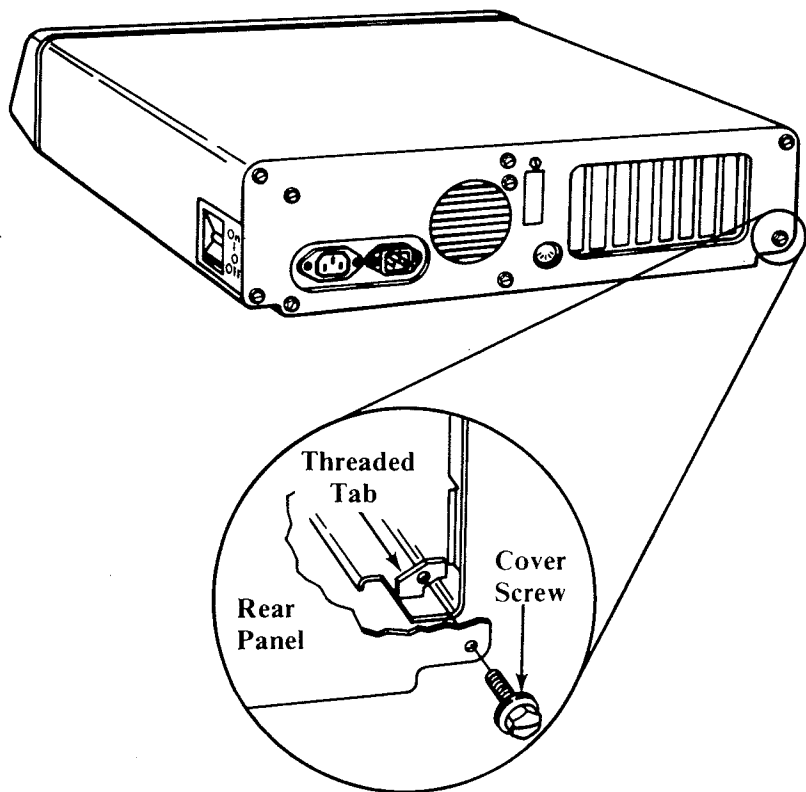


- 15.** If you have any other options to install in this unit, do so now before putting the cover back on. Put the unit's cover on by positioning it as shown and carefully sliding it toward the rear of the unit.





- 16.** When the cover is all the way to the rear, align the screw with the threaded tabs and tighten. Use a flat-blade screwdriver or 1/4-inch nutdriver and turn clockwise.



- 17.** Your system unit and expansion unit (if attached) are now ready to be recabled. Refer to Section 1, "Introduction/Installation."

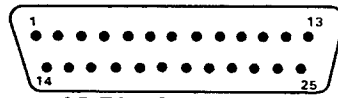
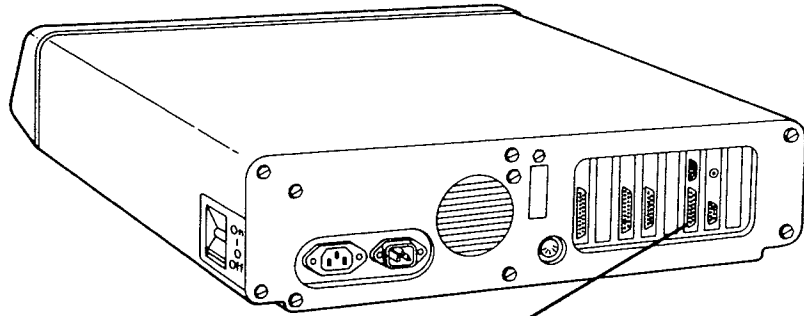
**Note:** If you have any problem after installation, one of the following is the most likely cause:

- Asynchronous Communications Adapter.
- Improper cabling.
- Other options may have loosened.

**Note:** When performing any tests or diagnostics, disconnect any external devices that may be connected to your asynchronous communications adapter.

# Connector Information

Rear View



25-Pin Connector

Signal Name - Description		Pin
	NC	1
	Transmitted Data ←	2
	Received Data →	3
	Request to Send ←	4
	Clear to Send →	5
	Data Set Ready →	6
	Signal Ground	7
	Received Line Signal Detector →	8
	+Transmit Current Loop Return ←	9
	NC	10
	-Transmit Current Loop Data ←	11
External Device	NC	12
	NC	13
	NC	14
	NC	15
	NC	16
	NC	17
	+Receive Current Loop Data →	18
	NC	19
	Data Terminal Ready ←	20
	NC	21
Ring Indicator →	22	
NC	23	
NC	24	
-Receive Current Loop Return →	25	

Asynchronous Communications Adapter