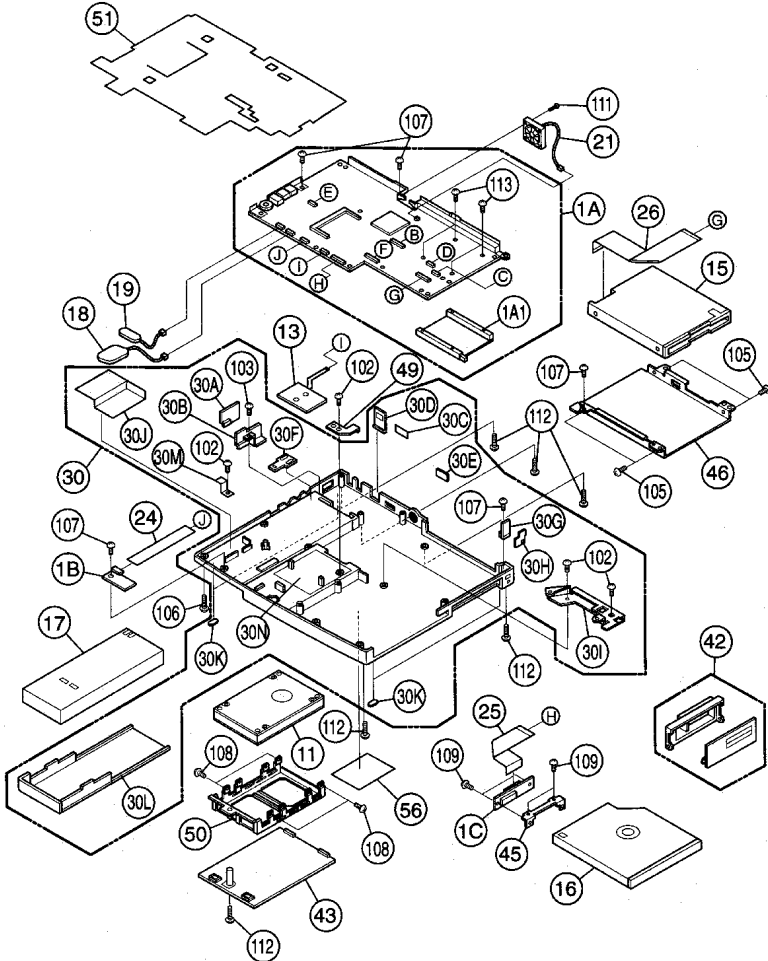
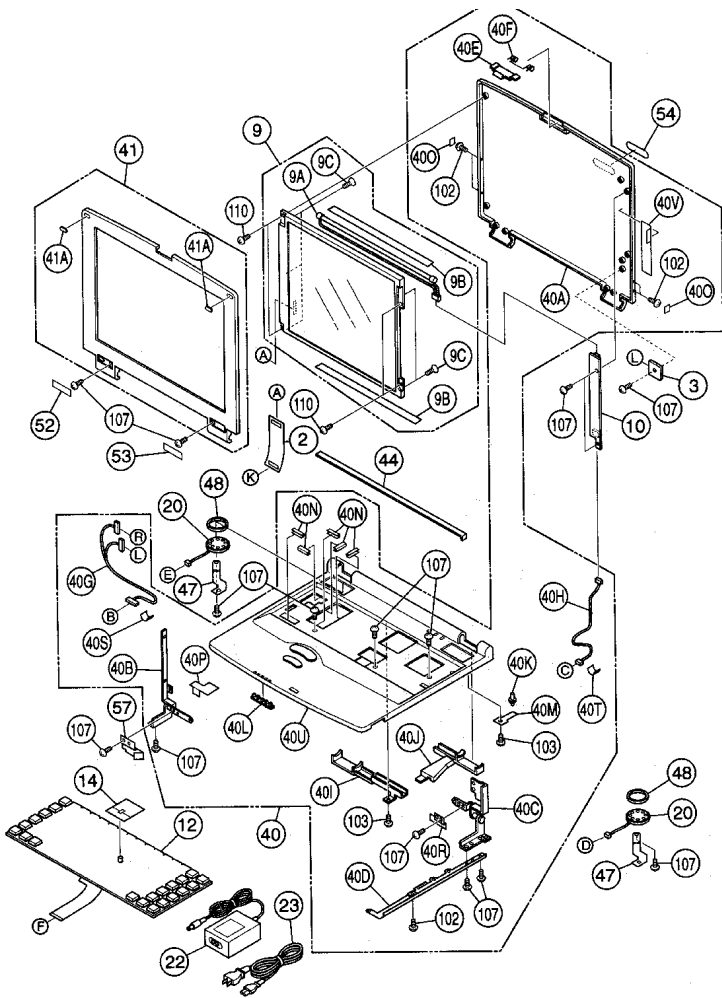


**TOSHIBA**

**Satellite**

320CDS - PA1271U

Parts Information



1A	P000252020	PCB FLCSS1
1A1	P000230580	CARD BUS SLOT
1B	P000252030	PCB FLCLE1
1C	P000252040	PCB FLCDD1
2	P000230110	PCB FVNSL2
3	P000201660	PCB FHVVR1
9	P000252050	COLOR LCD MODULE
9A	P000252500	FL TUBE
9B	P000248470	PET TAPE
9C	P000248460	SCREW
10	P000236350	FL INVERTER
11	P000251850	HDD UNIT (4.0GB)
1-11	P000261980	HDD UNIT (4.0GB)
2-11	P000244000	HDD UNIT (4.0GB)
3-11	P0010336	HDD UNIT (4.3GB)
4-11	P0012336	HDD UNIT (6GB)
5-11	P0014336	HDD UNIT (10GB)
6-11	P0016336	HDD UNIT (20GB)
7-11	P0018336	HDD UNIT (30GB)
N/S	P000254940	HDD EARTH PLATE
12	P000230810	KEYBOARD UNIT
12-A	UE0296P01KB-sp	KEYBOARD UNIT, SPANISH
13	P000247200	MEMBRANE SWITCH
14	P000231710	STICK CAP SET
15	P000231670	FDD 3.5 INCH
16	P000242100	CD-ROM DRIVE
16-1	P000252000	CD-ROM DRIVE
17	PA2487URN	MAIN BATTERY PACK
17-1	PA2487URG	MAIN BATTERY (4,000mAh)
18	P000222230	Ni-MH BATTERY
19	P000247360	Ni-MH BATTERY
19-1	P000262840	Ni-MH BATTERY
20	P000247210	SPEAKER
21	P000247230	30-10 DC FAN
22	PA2440U	UNIVERSAL AC ADAPTER
23	P000182200	AC CORD SET
24	P000247230	1MM PITCH CABLE
25	P000247240	0.5MM PITCH CABLE
26	P000247250	1MM PITCH CABLE
30	P000247260	BASE ASSEMBLY
30-1	P000257300	BASE ASSEMBLY
30-A	P000248780	BASE ASSEMBLY
30-A-1	P000257310	BASE ASSEMBLY
30A	P000247280	SWITCH COVER
30B	P000247290	SWITCH BUTTON
30C	P000247300	USB COVER
30D	P000247310	USB COVER SUPPORT
30E	P000247320	FIR COVER
30E-1	P000249160	FIR COVER
30F	P000247330	BATTERY SPRING ASSEMBLY
30G	P000232220	KEY LOCK HOLDER
30H	P000247340	KEY LOCK ASSEMBLY
30I	P000247350	CD-ROM GUIDE ASSEMBLY
30J	P000247360	INSULATOR, SUB BATTERY
30K	P000198350	BOTTOM CUSHION
30L	P000247370	BATTERY COVER ASSEMBLY
30L-1	P000249240	BATTERY COVER ASSEMBLY
30M	P000248490	HDD EARTH PLATE
30N	P000248500	INSULATOR, HDD UPPER
40	P000247270	COVER ASSEMBLY
40-1	P000248790	COVER ASSEMBLY
40A	P000247390	LCD COVER
40A-1	P000249260	LCD COVER
40B	P000247400	BRAKE HINGE, LEFT
40C	P000247410	BRAKE HINGE, RIGHT
40D	P000247420	KEYBOARD SUPPORT ASSEMBLY
40E	P000232460	LCD LATCH
40F	P000232570	SPRING, LCD LATCH
40G	P000247430	LCD HARNESS
40H	P000247440	LCD HARNESS
40I	P000247840	CORE HOLDER
40J	P000247850	HINGE COVER, RIGHT
40K	P000247450	LCD SENSOR STICK
40L	P000247460	LENS, SP
40M	P000232560	SPRING, LCD SENSOR
40N	P000247470	SPRING, KEYBOARD EARTH
40O	P000232850	SEAL, SCREW MASK
40P	P000251920	INSULATOR, HINGE LEFT
40R	P000247500	SPRING, HINGE RIGHT
40S	P000247510	EMI GASCKET
40T	P000233250	EMI GASCKET
40U	P000248450	COVER SUB ASSEMBLY
40U-1	P000249170	COVER SUB ASSEMBLY
40V	P000232820	INSULATOR, LCD COVER
41	P000247520	LCD MASK ASSEMBLY
41-1	P000248800	LCD MASK ASSEMBLY
41A	P000232890	LCD CUSHION
42	P000247530	PCMCIA COVER ASSEMBLY
43	P000247540	HDD COVER
44	P000247550	KEYBOARD HOLDER
44-1	P000249180	KEYBOARD HOLDER
45	P000247560	CD-ROM BRACKET
46	P000247570	FDD BRACKET ASSEMBLY
47	P000247580	SPEAKER HOLDER
48	P000247590	SPEAKER CUSHION
49	P000247600	PCB HOLD BRACKET
50	P000247610	HDD BRACKET
51	P000247620	INSULATOR, MAIN PCB
52	P000231960	SEAL, LCD MASK
53	NP320CDS	PLATE NAME SEAL (M)
53-A	NP325CDS	PLATE NAME SEAL (M)
54	-	PLATE NAME SEAL (C)
56	Not Available	-
57	P000247490	SPRING, HINGE LEFT
102	P000209920	SCREW M2.5X4Z
103	P000247650	SCREW M2.5X6BZ
105	P000227770	SCREW M2.5X2.6B
106	P000244090	GRIP SCREW M2.5X8C
107	P000233430	SCREW M2.5X2Z
108	P000162450	SCREW M3X4
109	P000207940	SCREW M2X6Z
110	P000239090	SCREW M2.5X7C
111	P000239500	SCREW M2X14C
112	P000247660	SCREW M2.5X25C
113	P000230450	SCREW M2X20Z
<b>OPTIONS</b>		
OP	KT165016	KINGSTON 16MB MEMORY
OP	KT165032	KINGSTON 32MB MEMORY
OP	KT165064	KINGSTON 64MB MEMORY
OP	KT1650128	KINGSTON 128MB MEMORY
OP	KT1305128	KINGSTON 128MB MEMORY
OP3	PA2440U	UNIVERSAL AC ADAPTER
OP4	PA2487URN	MAIN BATTERY PACK
OP5	PA2488U	BATTERY CHARGER
OP	XIRC0M-MODEM	XIRC0M MODEM 56T
OPA	170-0899-001	MODEM
OPA-1	150-1078-001	MODEM
OPB	170-0728-003	CABLE

