



*Personal Computer
Hardware Reference
Library*

**IBM Personal Computer
AT Communications
Cable**



Contents

Description	1
Specifications	2

Notes:

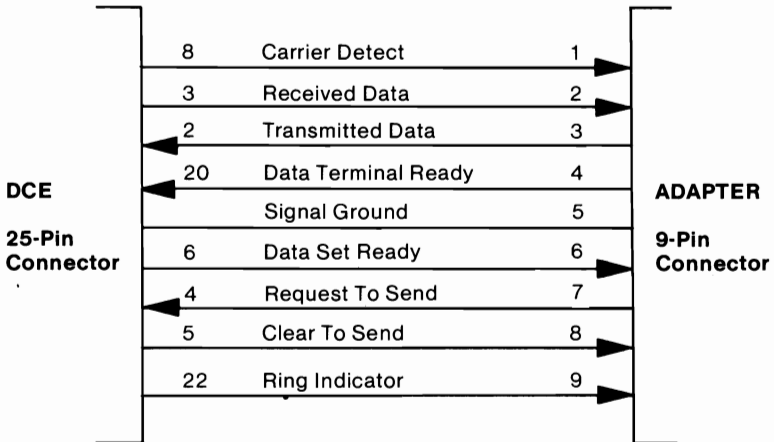
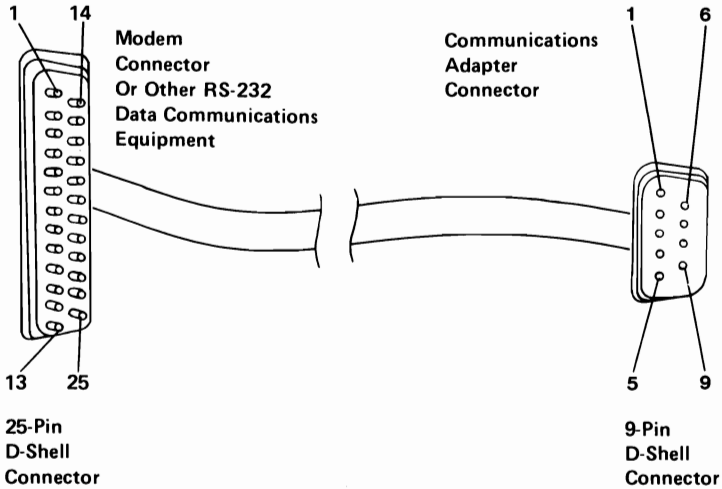


Description

The IBM Personal Computer AT Communications Cable cable is for connection of an IBM communications adapter with a 9-pin D-shell connector to a modem or other RS-232C DCE (data communications equipment). It is fully shielded and provides a high quality, low noise channel for interface between the communications adapter and DCE.

Specifications

One connector is a 9-pin D-shell connector and the other is a 25-pin D-shell connector. The pin numbering and connector specifications follow.



Note: All other pins on the 25-pin connector are not used.