



*Personal Computer
Hardware Reference
Library*

IBM Portable Personal Computer Display

6361472

IBM Portable Personal Computer Display



Contents

Description	1
Logic Diagram	3



Description

The IBM Portable Personal Computer Display attaches internally to the Color/Graphics Monitor Adapter in the system unit and to the power supply. A cable provides the composite drive signals from the Color/Graphics Monitor Adapter to the display. Another cable provides dc power to the display from the power supply.

The IBM Portable Personal Computer Display is designed to blank out the color-burst signal generated by the Color/Graphics Monitor Adapter. Blanking keeps the color-burst signal from appearing on the composite video screen.

The display is a 228.6 mm (9 in.), amber cathode ray tube (CRT). Brightness and Contrast controls on the front panel are easily accessible.

The characteristics of the display are as follows:

Screen

- Medium-persistence, amber phosphor (LA)
- Etched surface to reduce glare
- 80-character by 25-line image
- Characters are defined in a 8 PEL-high by 8 PEL-wide matrix

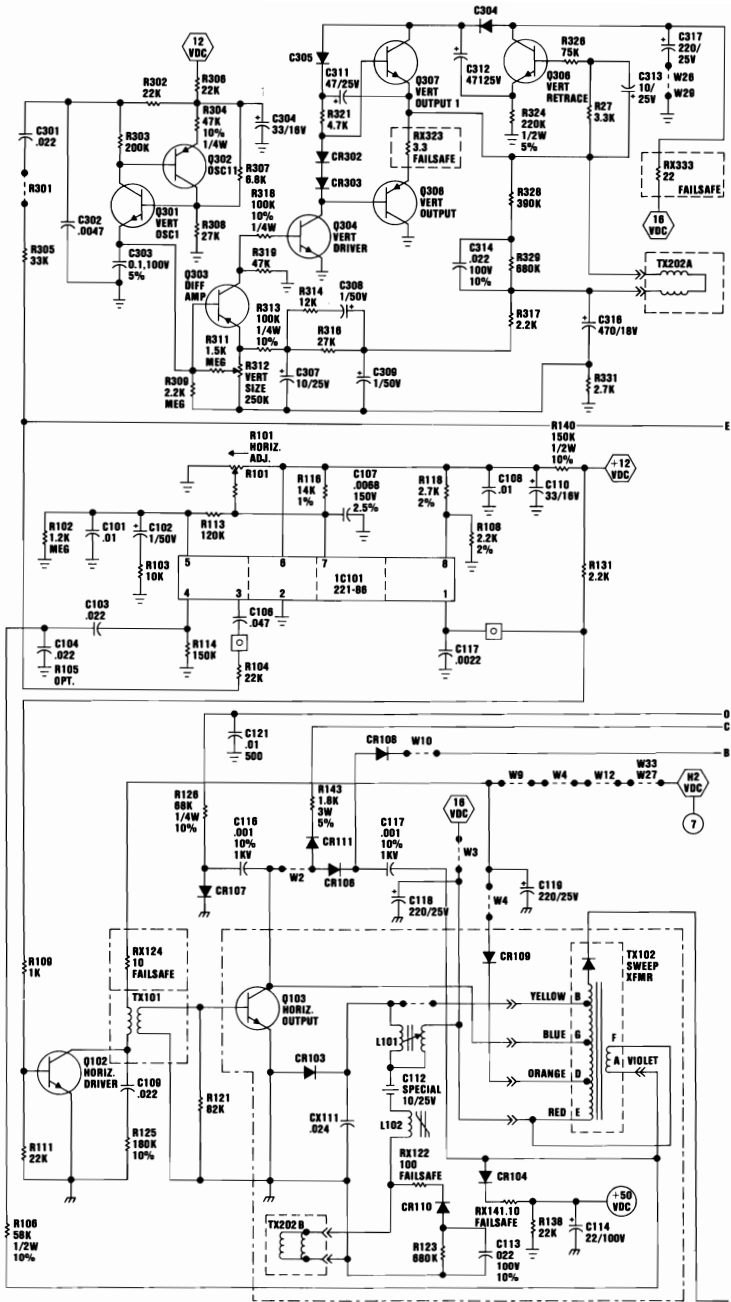
Composite Video Signal

- 1.5 Vdc (peak to peak)
- 60 Hz refresh rate
- 15.75 kHz horizontal scan rate

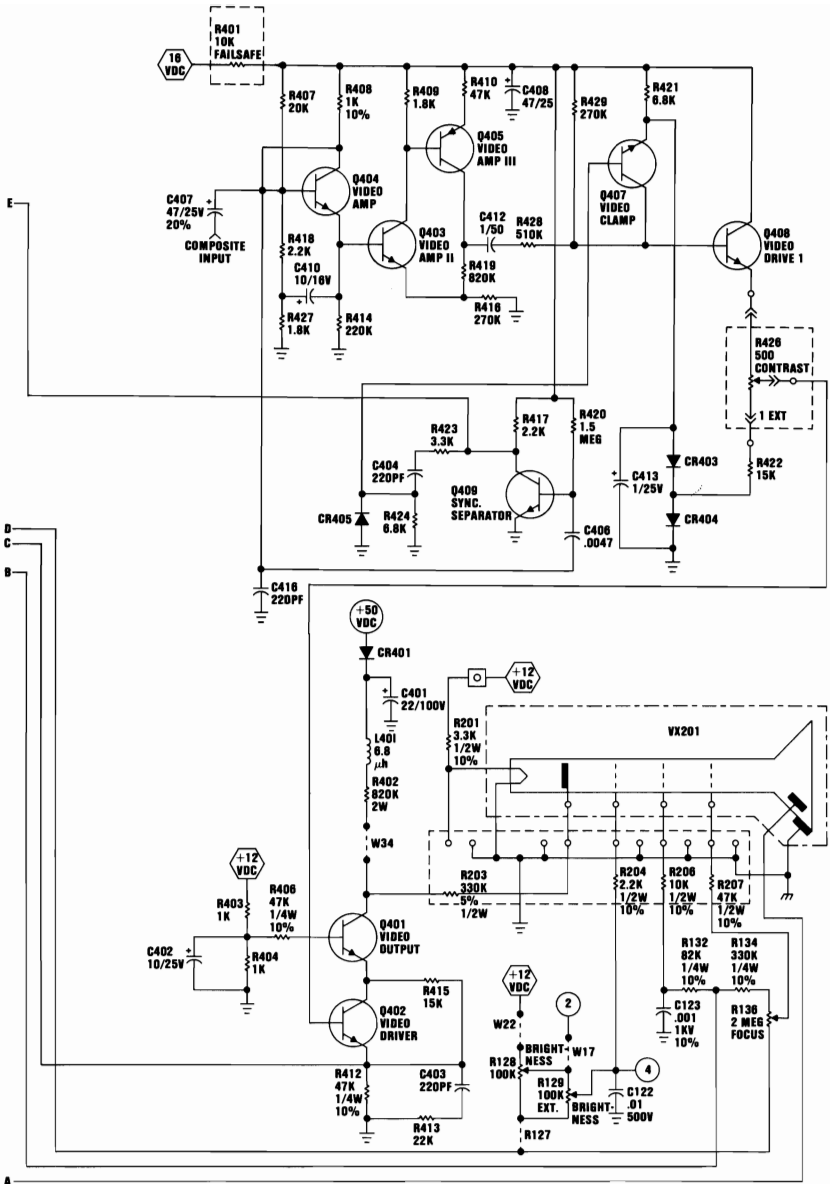


Logic Diagrams

The following pages contain the logic diagrams for the IBM Portable Personal Computer Display.



Portable Personal Computer Display (Sheet 1 of 2)



Portable Personal Computer Display (Sheet 2 of 2)

Notes:

